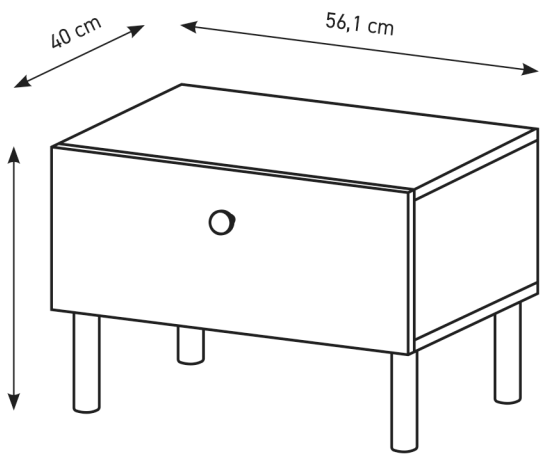
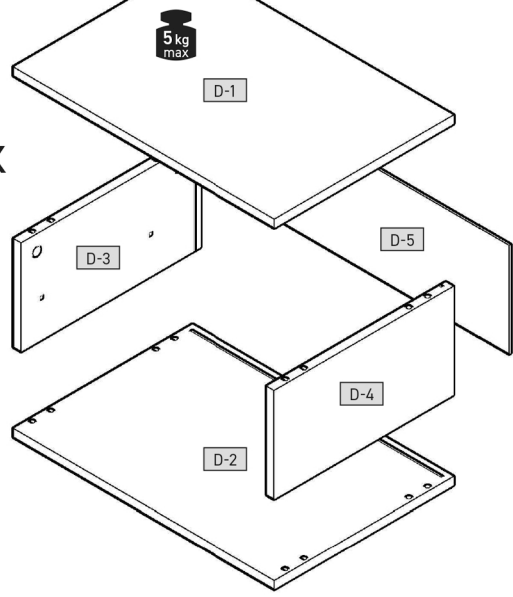


DUKEN

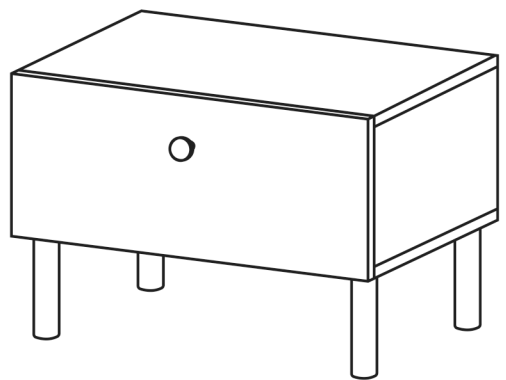
ca. 1,5h 



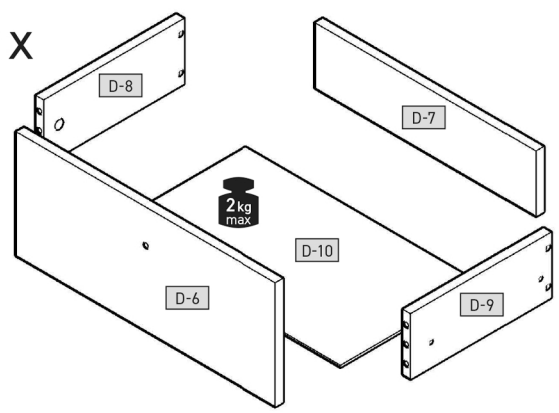
2 x

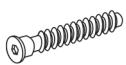





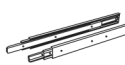

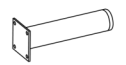








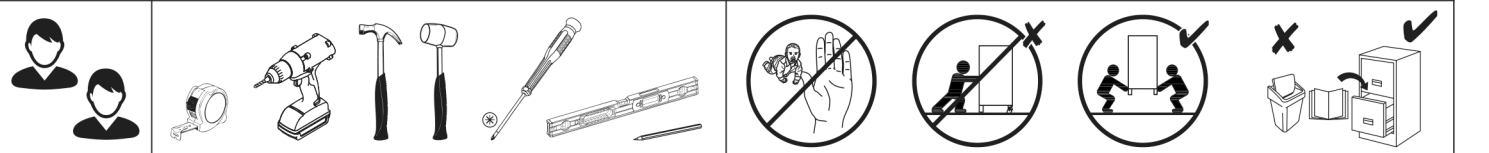
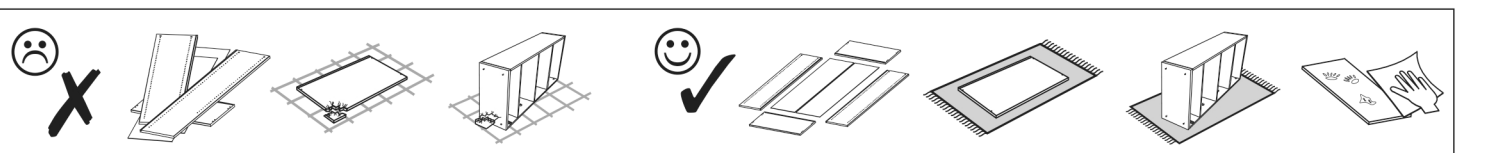
D-1	561	384	16	x 2	1/1
D-2	561	384	16	x 2	1/1
D-3	200	384	16	x 2	1/1
D-4	200	384	16	x 2	1/1
D-5	542	214	3	x 2	1/1
D-6	556	228	16	x 2	1/1
D-7	472	120	16	x 2	1/1
D-8	300	120	18	x 2	1/1
D-9	300	120	16	x 2	1/1
D-10	502	306	3	x 2	1/1



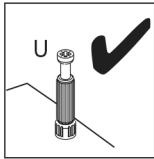
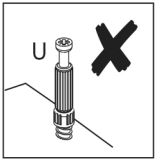
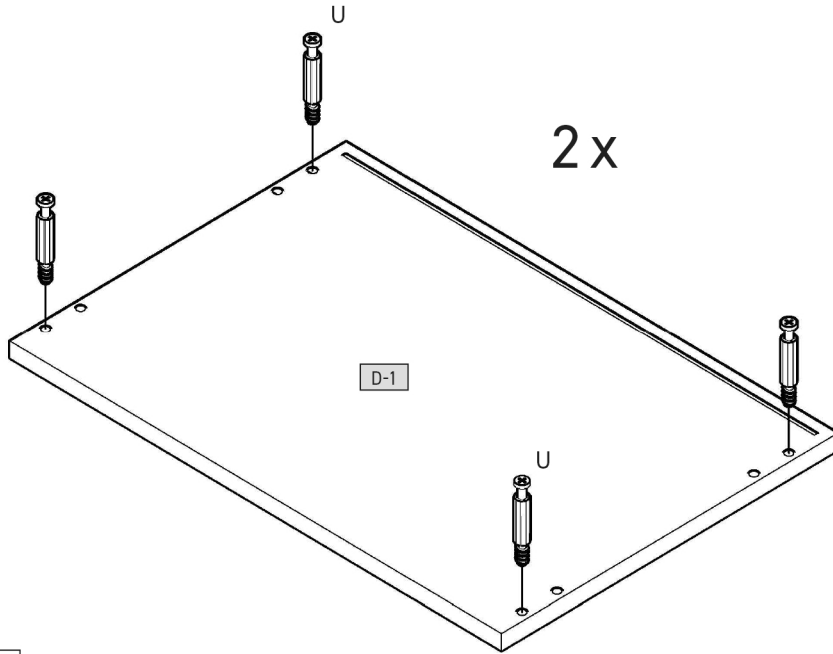
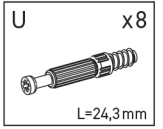
2 x



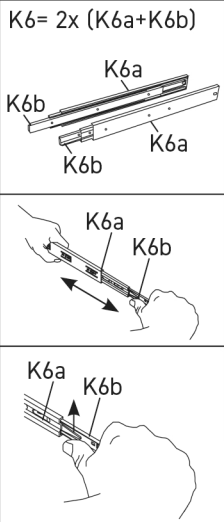
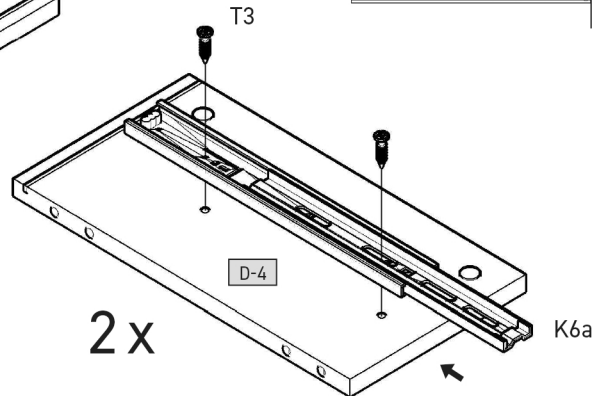
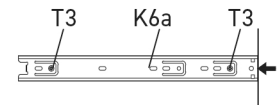
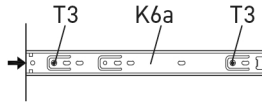
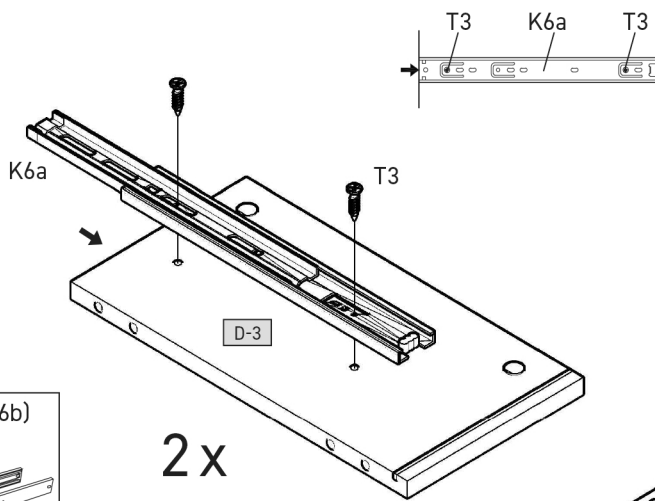
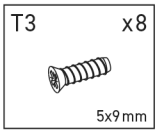
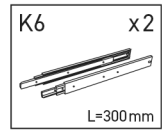
- A** x16

7x50mm
- B** x24

8x32mm
- E** x32

3,5x13mm
- EM2** x2

4x25mm
- EP2** x20

4x20mm
- H1** x8

- K6** x2

L=300mm
- M** x2

GSKINBL Ø32
- N1** x8

Ø30 / H=150mm
- R** x12

H=11mm
- T3** x16

5x9mm
- U** x12

L=24,3mm
- XA** x1

- ZA** x16

Ø4
- ZR** x12

Ø15



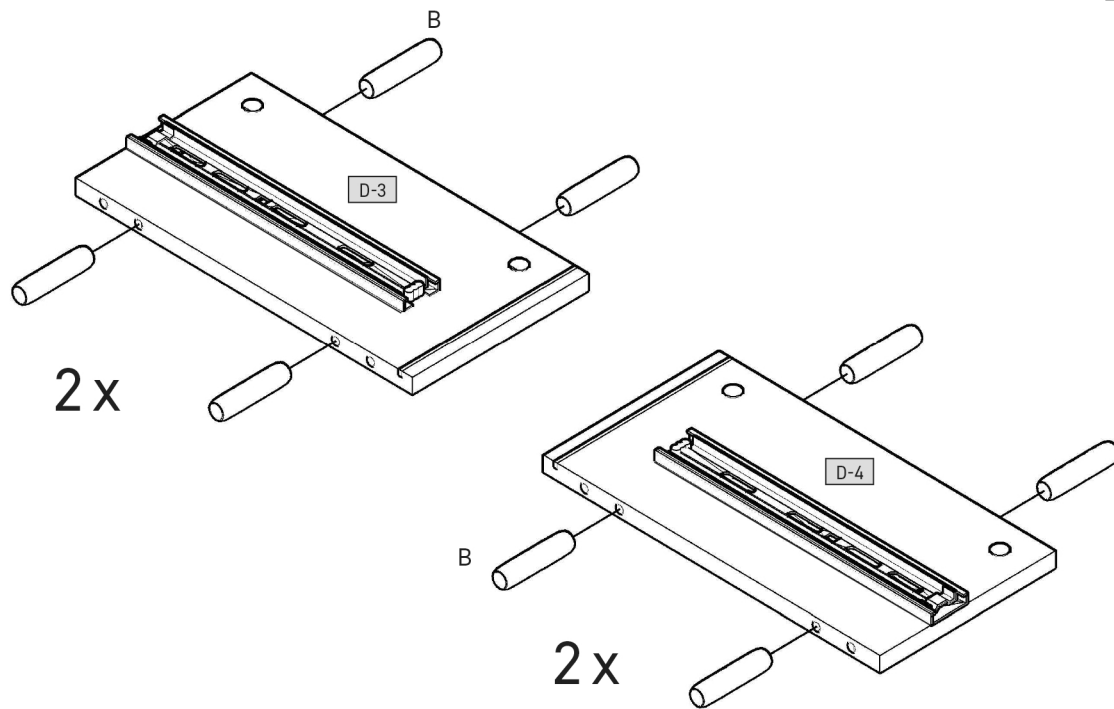
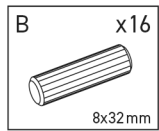
1



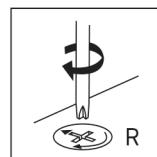
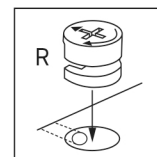
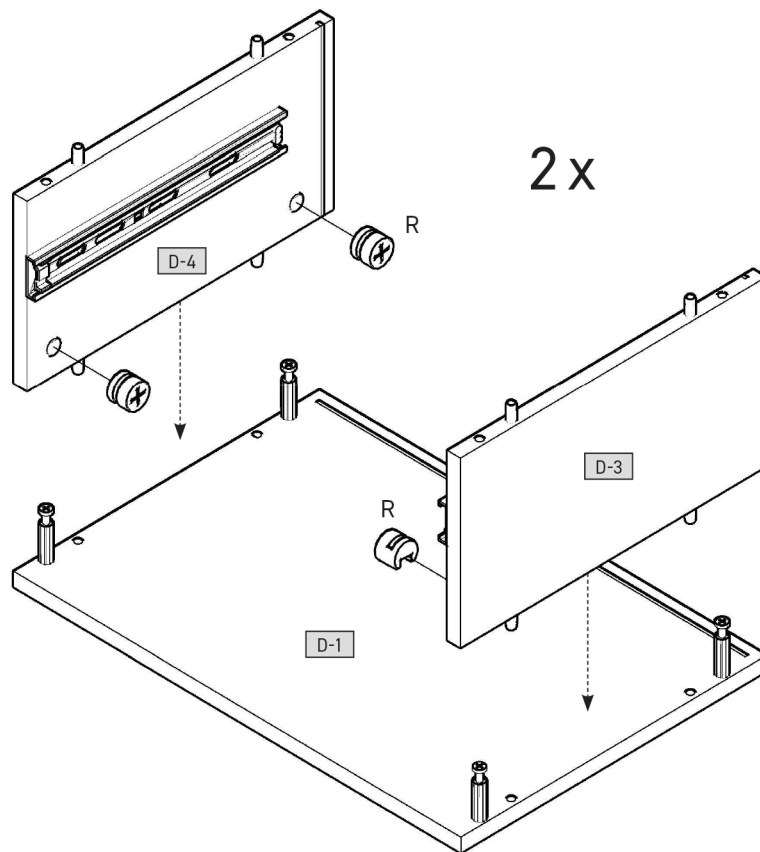
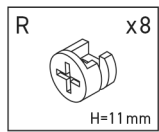
2



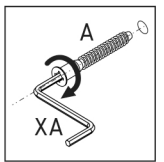
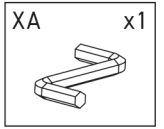
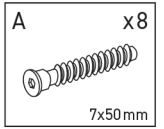
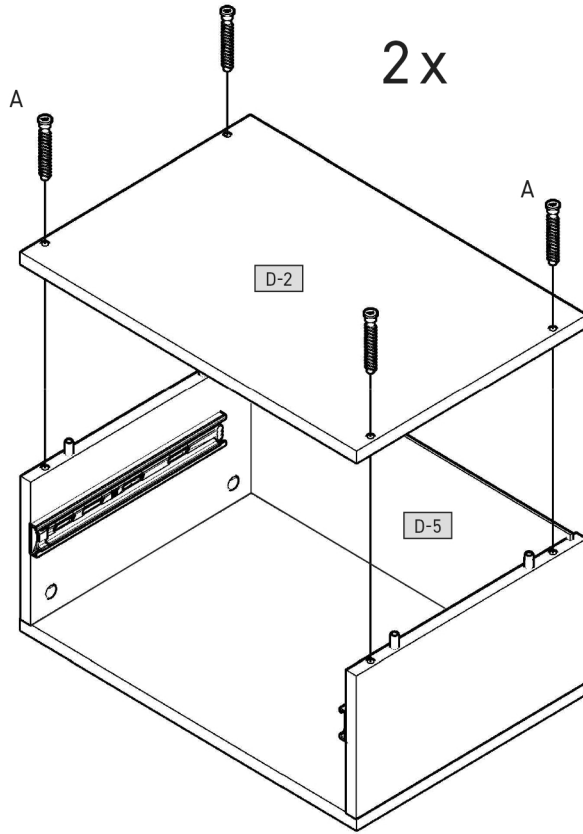
3



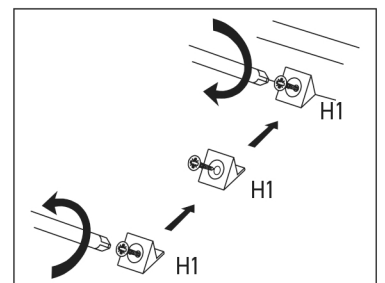
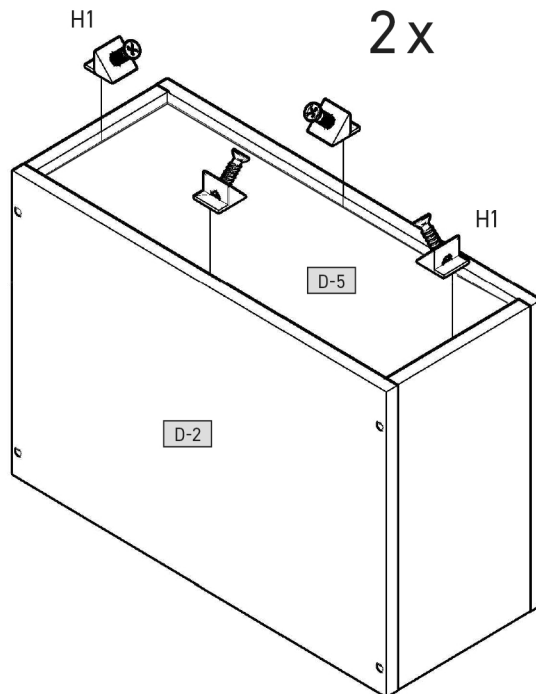
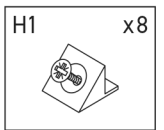
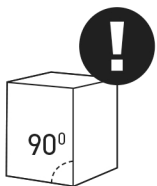
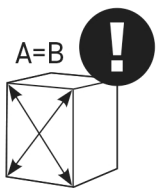
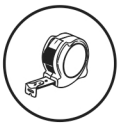
4



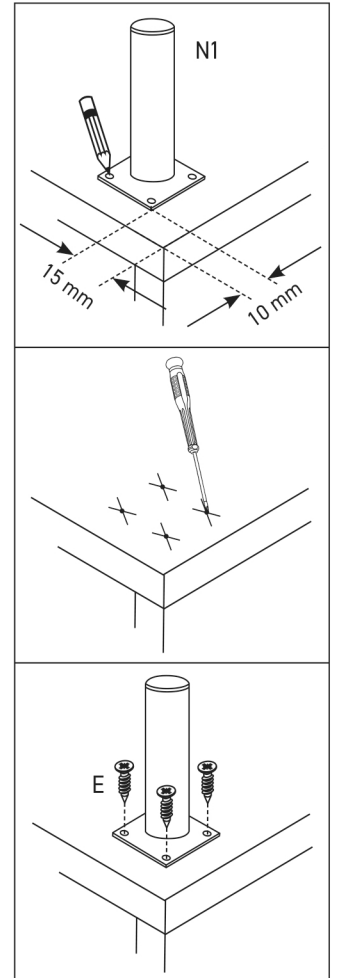
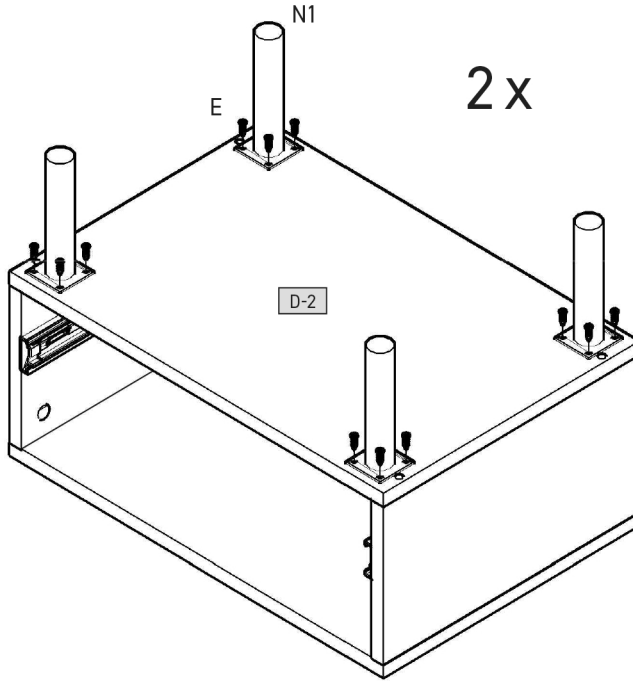
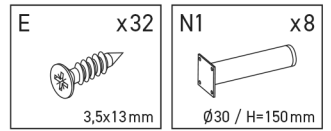
5



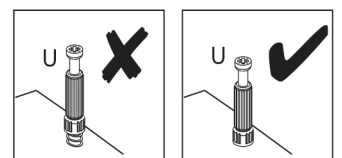
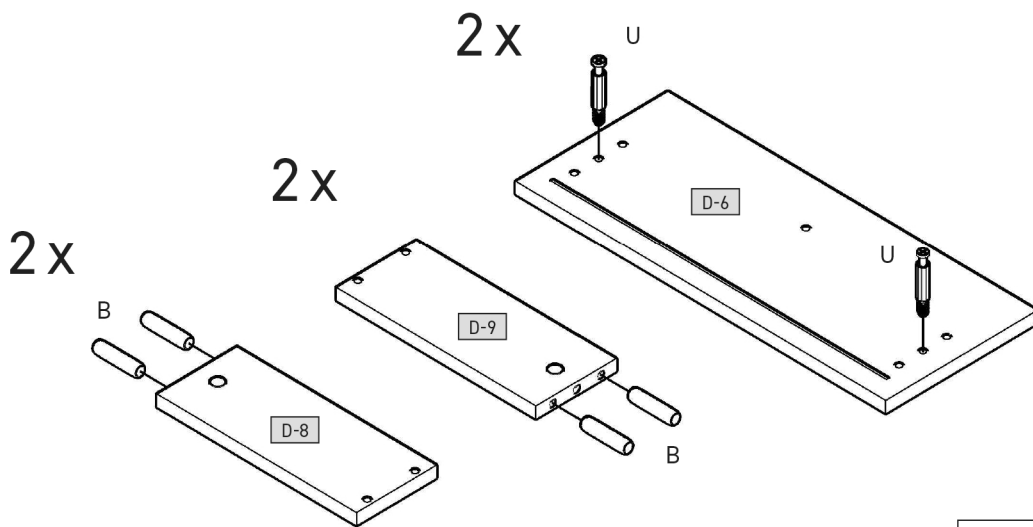
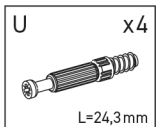
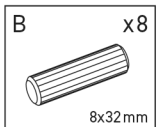
6



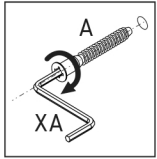
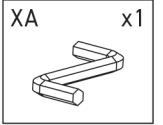
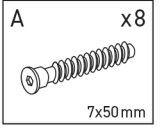
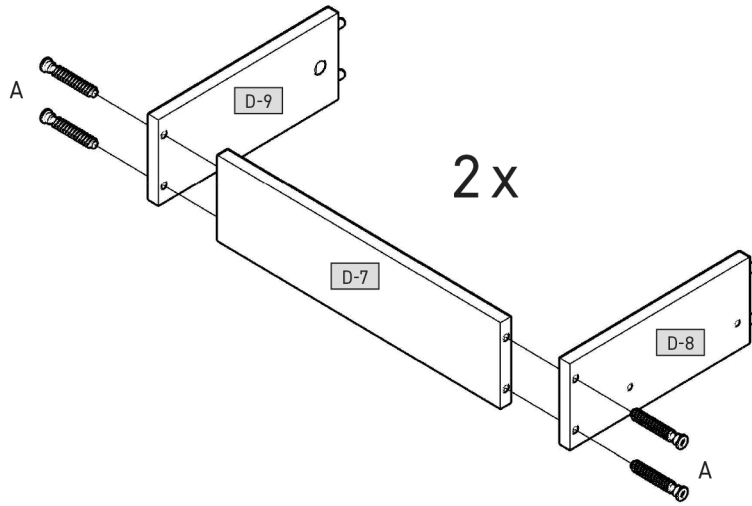
7



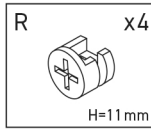
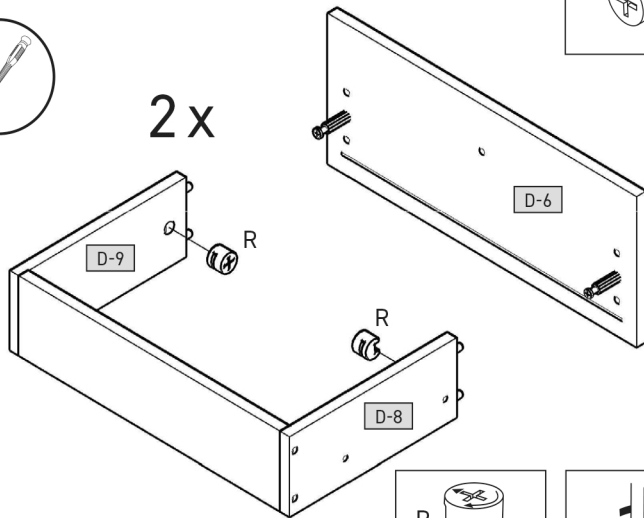
8



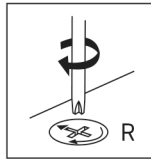
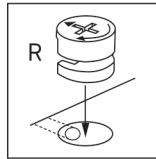
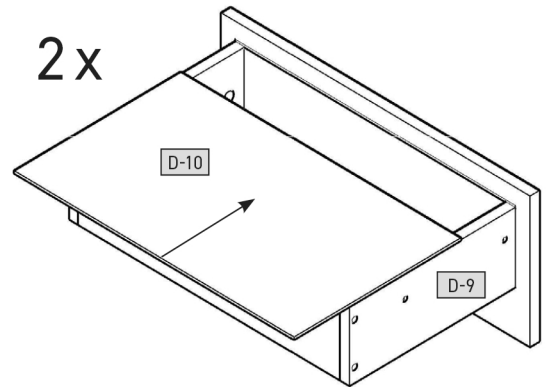
9



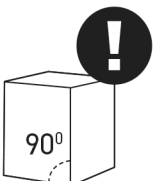
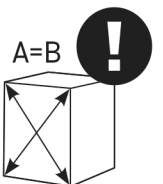
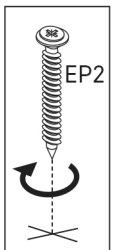
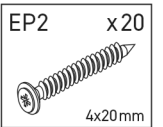
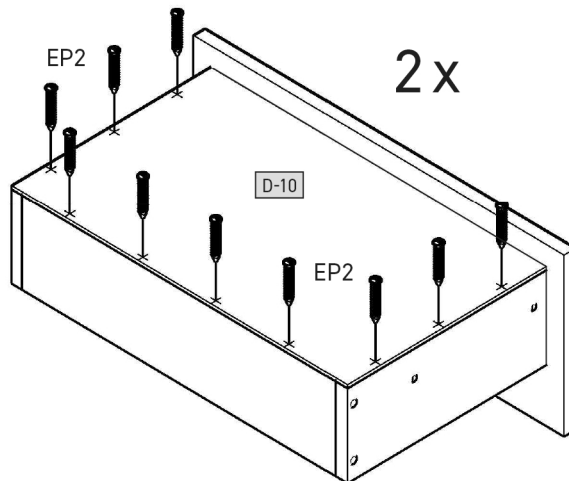
10



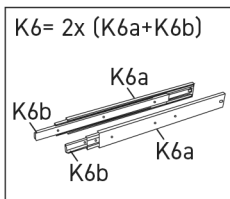
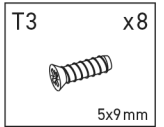
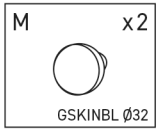
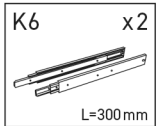
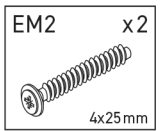
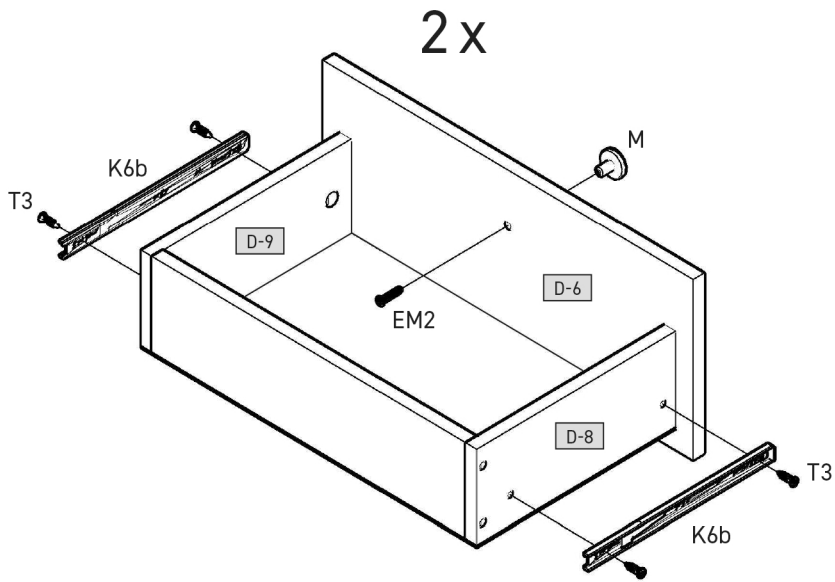
11



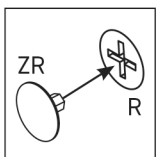
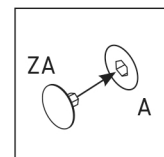
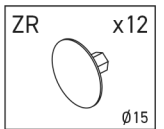
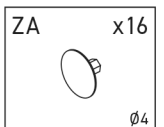
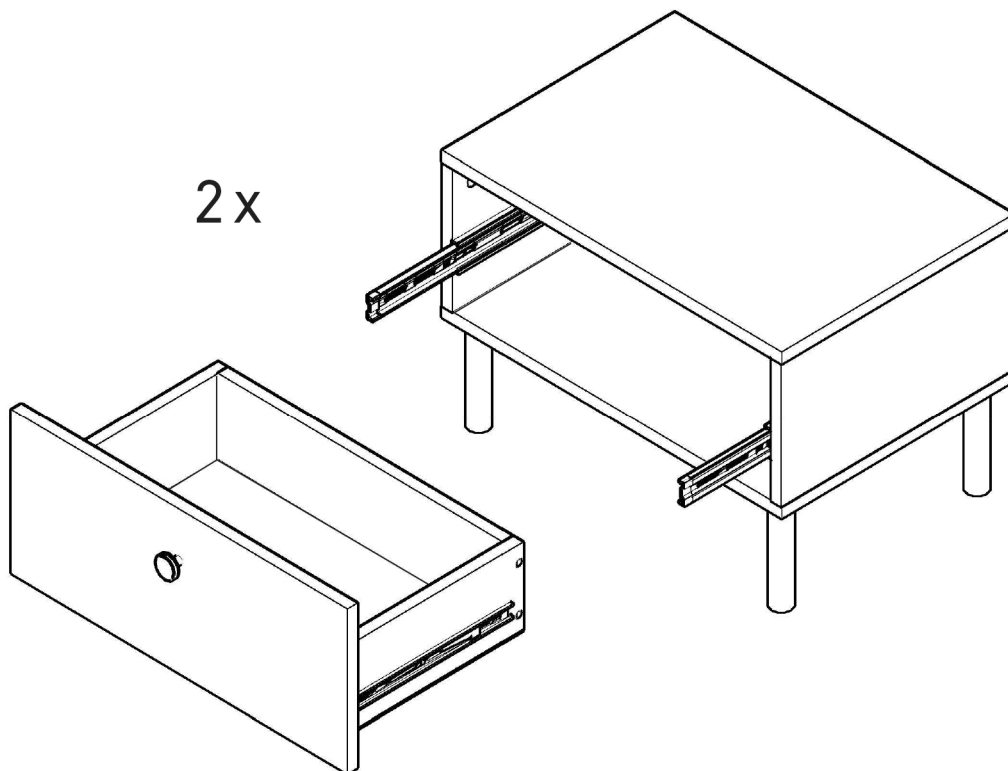
12

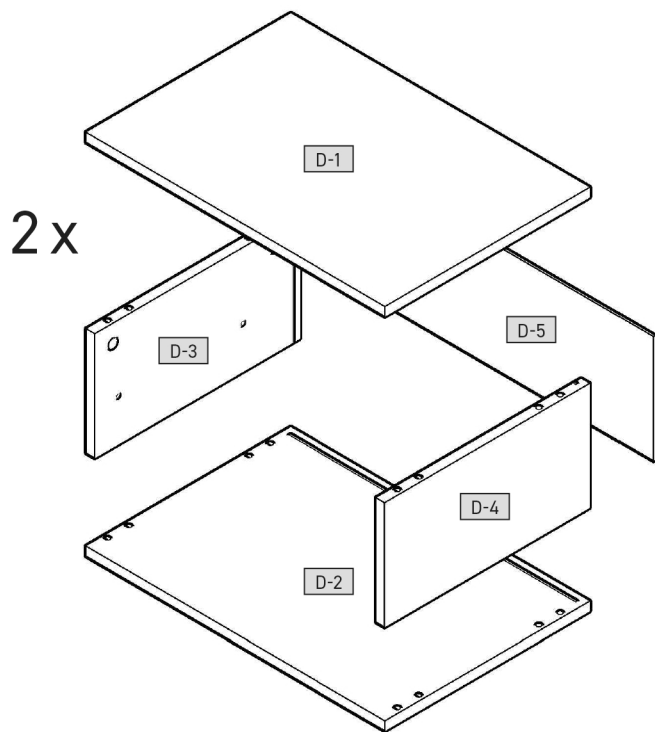
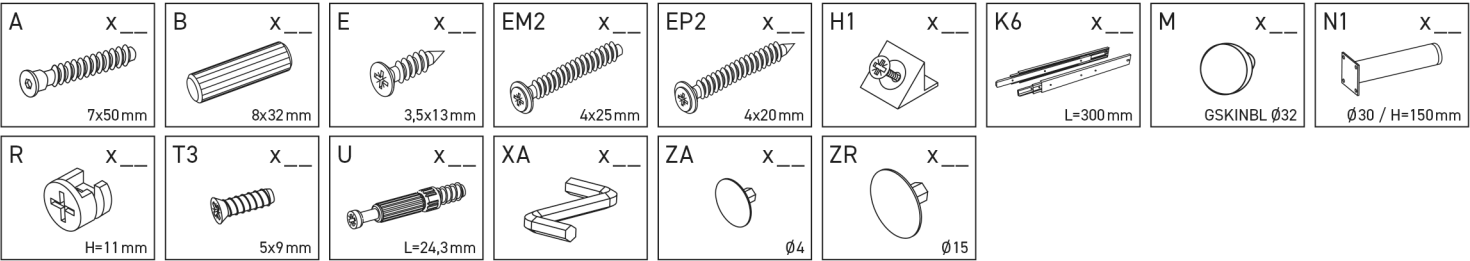


13



14





D-1	561	384	16	x 2	1/1
D-2	561	384	16	x 2	1/1
D-3	200	384	16	x 2	1/1
D-4	200	384	16	x 2	1/1
D-5	542	214	3	x 2	1/1
D-6	556	228	16	x 2	1/1
D-7	472	120	16	x 2	1/1
D-8	300	120	18	x 2	1/1
D-9	300	120	16	x 2	1/1
D-10	502	306	3	x 2	1/1

